

1 UNBOX YOUR AQUATRU

UNPACK THE PURIFIER, TANKS AND FILTERS

! We do our best to keep packaging to a minimum, while keeping your AquaTru safe in transit. Please recycle all material according to local guidelines.

WASH WITH SOAP AND WATER. Set aside.

2 INSTALL FILTERS

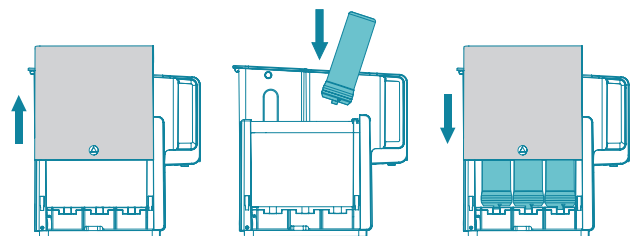
REMOVE THE FILTER COVER

REMOVE STICKERS COVERING THE FILTER BASES

INSTALL ALL THREE FILTERS with their matching, color-coded base by twisting the filters clockwise and aligning the red arrows in the front.

TIP The filter bases pivot out for easy removal and reinstallation

SLIDE THE COVER BACK ON



! Before use, read through Owner's Manual all the way through

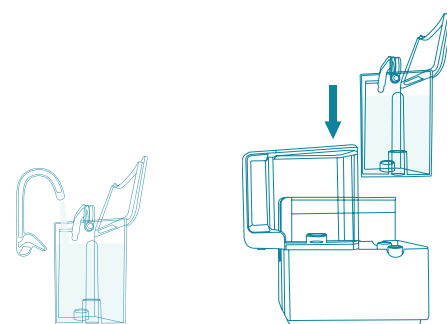
3 PREPARING FOR FIRST USE: STEP 1

FILL YOUR TAP WATER TANK with cool tap water until the water level is just below the handle.

PLACE BOTH TANKS ON THE AQUATRU BASE

PLUG IN THE AQUATRU AND TURN THE POWER SWITCH ON.

Your AquaTru will start filtering immediately.



Please Note:

- New filters take time to become saturated and properly filter the water when first installed. The first cycle may take longer than the normal 10-15 filtering time for 1 gallon of water.
- You may notice bubbles or even cloudiness in the tap water tank. This is simply trapped air from the filters escaping and may be experienced during each use.
- You may also notice some black cloudiness in your tap water tank within the first two tanks being filtered. Loose carbon dust from your new filter can release into the water as the filter fully saturates.



4 PREPARING FOR FIRST USE: STEP 2

ONCE THE PUMP STOPS and you see a solid blue circle at the top of the digital display, empty the water from both tanks.

TIP The full blue circle at the top of your display panel is a reminder to empty the waste water from your tap tank and refill it with fresh tap water.



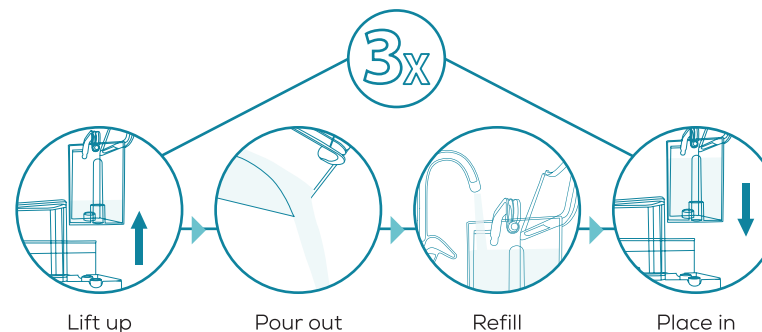
EMPTY WATER FROM BOTH TANKS. Don't simply "top-off" the water in the tap tank with more water. Make sure to empty the tanks each time.

REFILL TAP TANK, and place both tanks back on your AquaTru.

REPEAT THIS PROCESS 3 MORE TIMES

GIVE YOUR TAP WATER AND CLEAN WATER TANKS ONE MORE CLEANING WITH SOAP AND WATER BEFORE FIRST USE

REPEAT THIS PROCESS 3 MORE TIMES



5 GET PURIFYING!

FILL YOUR TAP WATER TANK with cool tap water until the water level is just below the handle.

PLACE BOTH TANKS ON THE AQUATRU BASE

YOUR AQUATRU WILL START FILTERING IMMEDIATELY, SO YOU CAN START ENJOYING YOUR FIRST GLASS OF PURE, DELICIOUS AQUATRU WATER!

! **DON'T FORGET TO EMPTY YOUR WASTE WATER**

HELPFUL TIPS

ALWAYS EMPTY YOUR WASTE WATER

Discarding the waste water after each use, extends the life of AquaTru and its filters. If you do not empty the tap tank each time, you will not only strain the system and the filters, but you will also void your warranty.

REFILL TAP WATER TANK AFTER DISCARDING WASTE WATER

This way, AquaTru will automatically resume filtering when you dispense any water from the clean water tank, so you always have a full tank on hand.

ALLOW DISPENSING SPOUT TO FULLY EMPTY

When dispensing from AquaTru's convenient push spout, make sure to leave your container under the spout to allow it to fully empty.



WASH BOTH TANKS WEEKLY

Washing tanks weekly keeps your water pure and clean.

KEEP AWAY FROM DIRECT SUNLIGHT & HEAT SOURCES

TROUBLESHOOTING TIPS

Check out our YouTube channel for helpful step-by-step instructions.



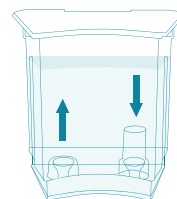
06.22.R1



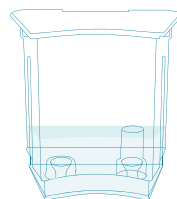
WHAT IS WASTE WATER?

AquaTru works by recirculating water many times, leaving concentrated contaminants in the tap water tank. Therefore, you must discard the waste water (remaining water in the tap tank) before refilling.

❗ Failure to discard this highly concentrated waste water will not only cause contaminants to form scale on internal parts & cause product failure, but will also void your warranty.



Water is pumped into the filters through the inlet on the right. Water is recirculated back into the tap tank from the inlet on the left.



Concentrated waste water to be discarded

💡 We recommend disposing of the water in your sink, or you could even use it to water your yard or lawn. Note: Please do not feed your waste water to your pets or animals.

©2021 AquaTru® LLC. All Rights Reserved. 06.22.R1



SAY GOODBYE TO PLASTIC WASTE

By using AquaTru, you will be keeping thousands of single-use plastic water bottles out of landfills and our oceans. Just one set of filters makes the equivalent of 4500 plastic water bottles (16.9 oz each). Way to go, you eco-conscious hero!

HOW DO YOU AQUATRU?

There are so many uses for AquaTru's deliciously pure water!



Pets



Coffee/Tea



Baby



Cooking

STAY IN TOUCH

Show us how you AquaTru. Tag us @aquatru to be featured!



Luna won't drink anything other than @AquaTru water 🐾💧 #dog #watersnob

I use my @AquaTru water for everything—including bathing my newborn! 🧒

@AquaTru is my go-to for the best-tasting tea EVER 🍵

ABOUT US

At AquaTru, we believe that everyone should have access to pure, healthy water right at home. We developed our patented Ultra Reverse Osmosis® technology to allow everyone to make delicious, purified water in any home—no plumbing or installation required.

MONEY BACK GUARANTEE

Your product comes with a 30-day Money Back Guarantee*, plus a standard 1-year limited warranty.

*You will have 30 days to try AquaTru from the day you receive it. If you do not love AquaTru, simply contact us to return the product and receive a full refund of your purchase price, less shipping and processing.

WE'RE HERE TO HELP

Have questions?

Our Customer Support Team is here to help.

Email: cs@aquatruwater.com

Toll-Free: 1.800-220-6570

Help Desk: aquatruwater.com/support

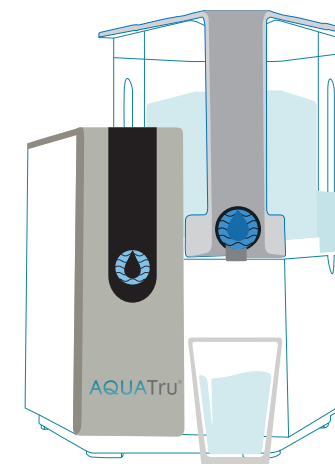
Support Hours

Monday-Friday, 7am-4pm PST/PDT

Saturday, 7am-3pm PST/PDT

For Replacement Filters Visit

AQUATRU.COM



QUICK START GUIDE

AQUATRU®

BY IDEAL LIVING