

Configuration A to C



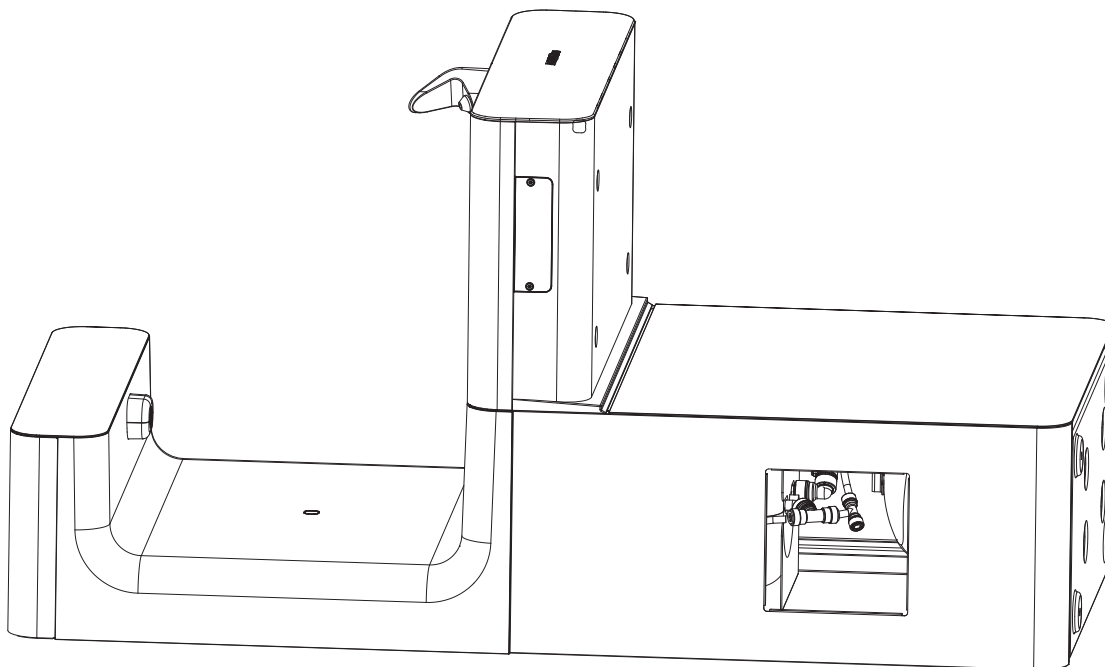
AQUATru[®]
BY IDEAL LIVING

PRO SERIES

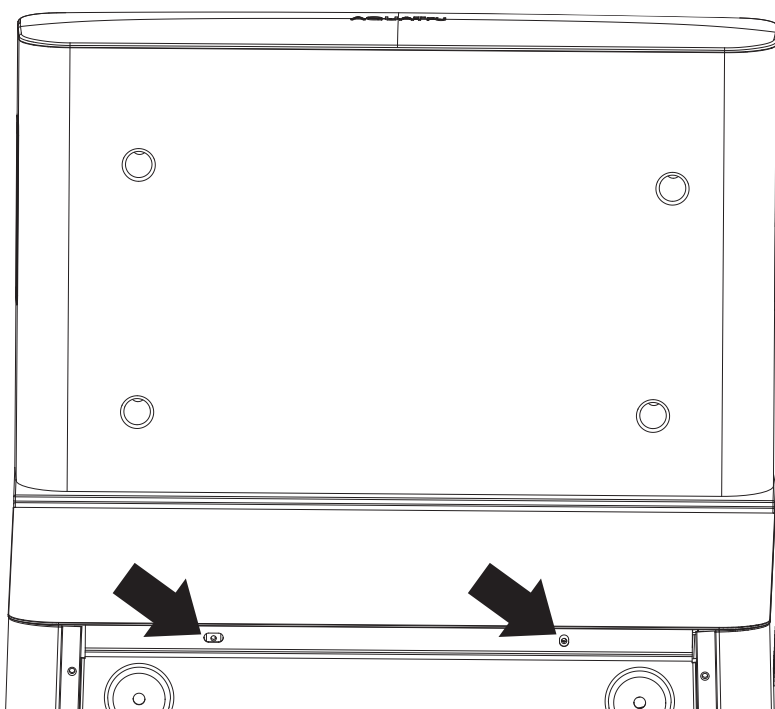
On-Wall Bi-Level Bubbler
with Bottle Filler

Configuration A to C

STEP 1 Gently tip the Main Unit onto its back.



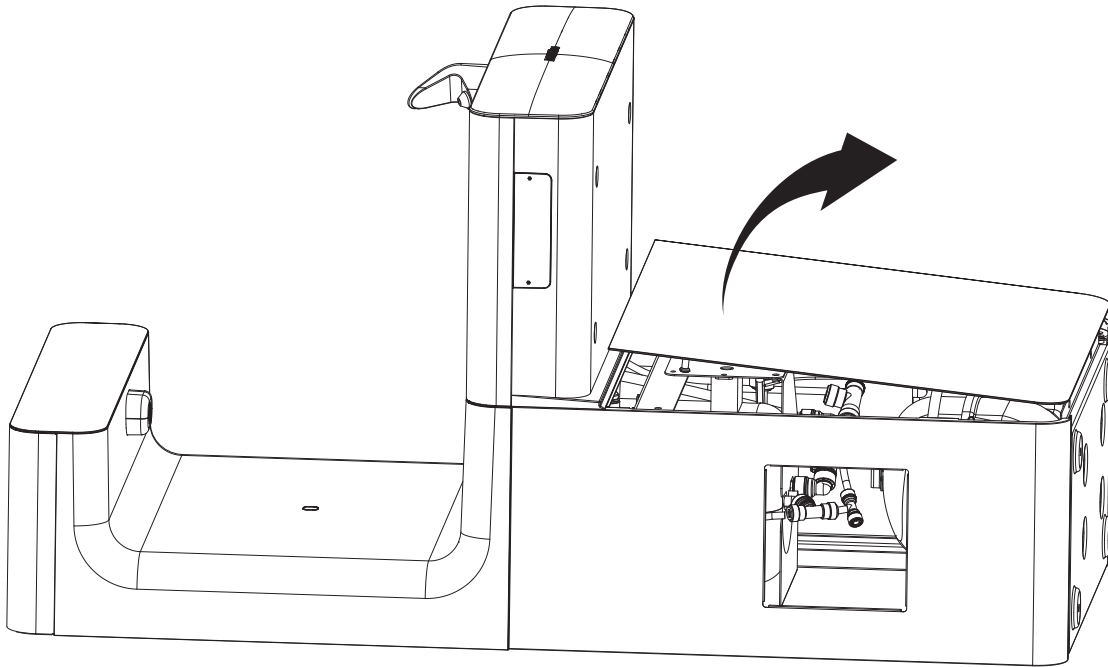
STEP 2 Undo the two screws that secure the front panel.



Configuration A to C

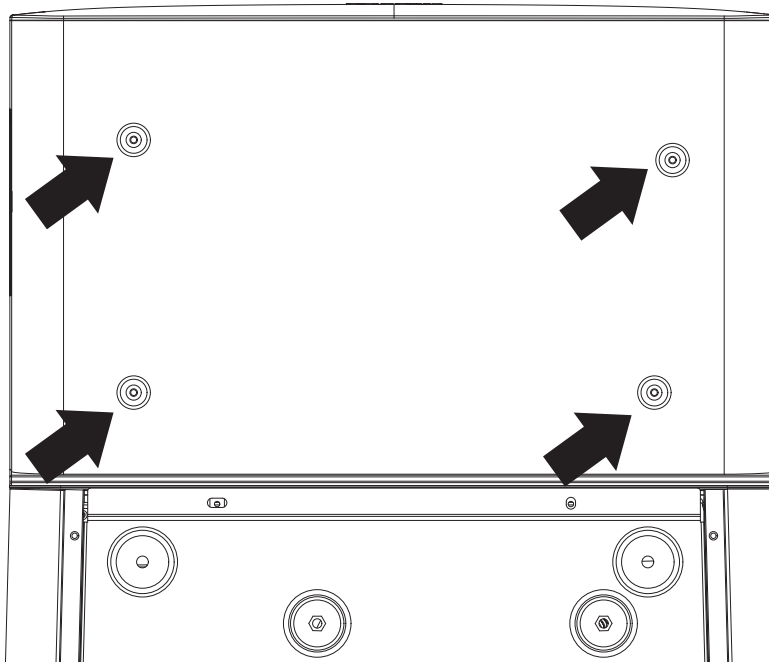
STEP
3

Gently push the panel up from the bottom and lift it from the top to remove it.



STEP
4

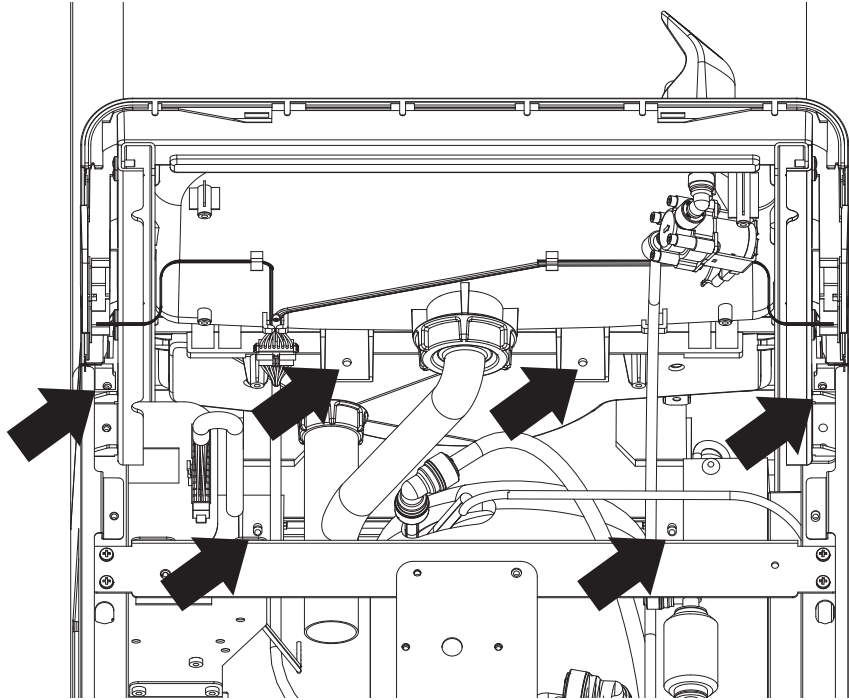
Remove the four screws that hold the plastic underside of the basin.



Configuration A to C

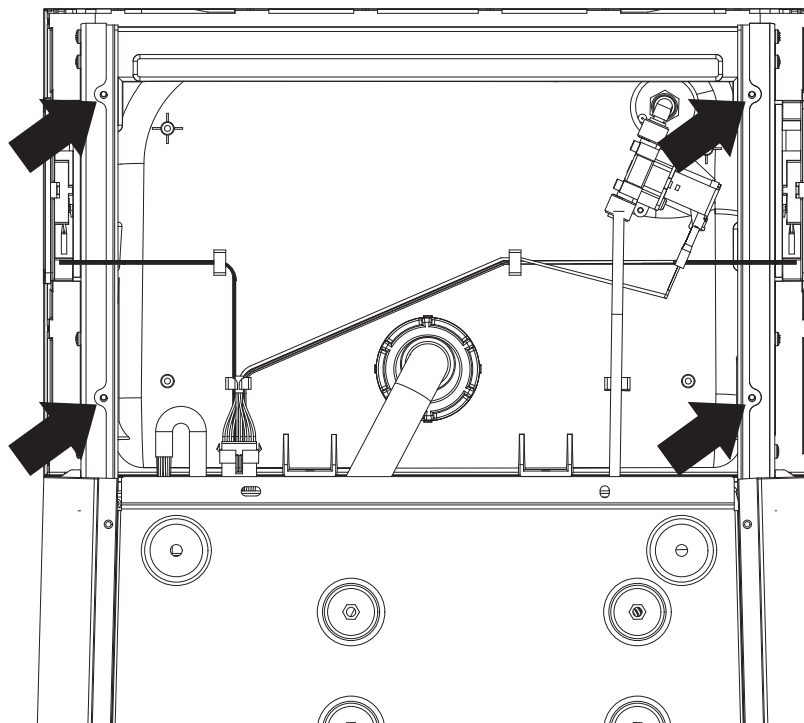
STEP
5

Remove the six screws that hold the plastic bottle filler to the metal frame. There are four along the front and two located at the back of the cabinet.



STEP
6

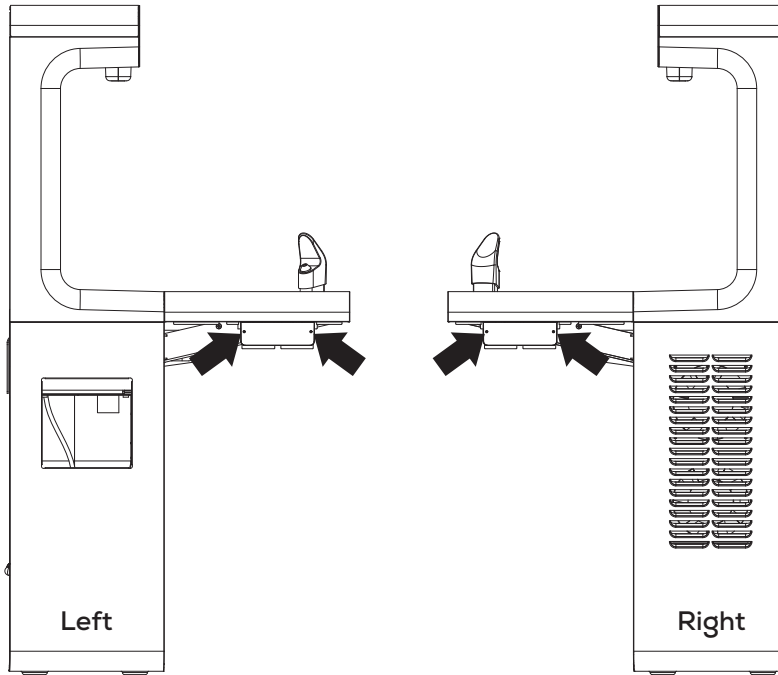
Remove the four screws that hold the basin to the metal frame.



Configuration A to C

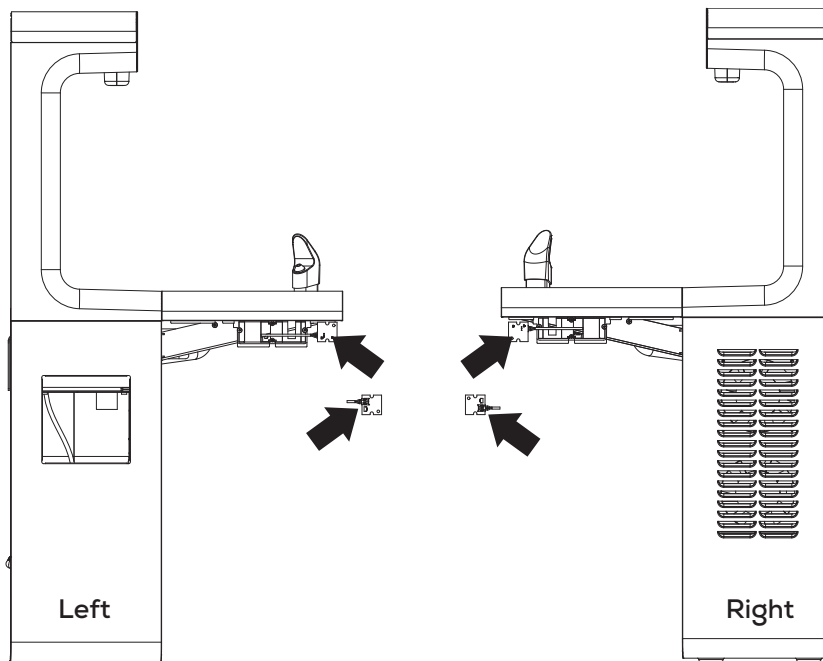
STEP
7

Remove the two screws that hold each sensor lens and gently remove the sensor lens.



STEP
8

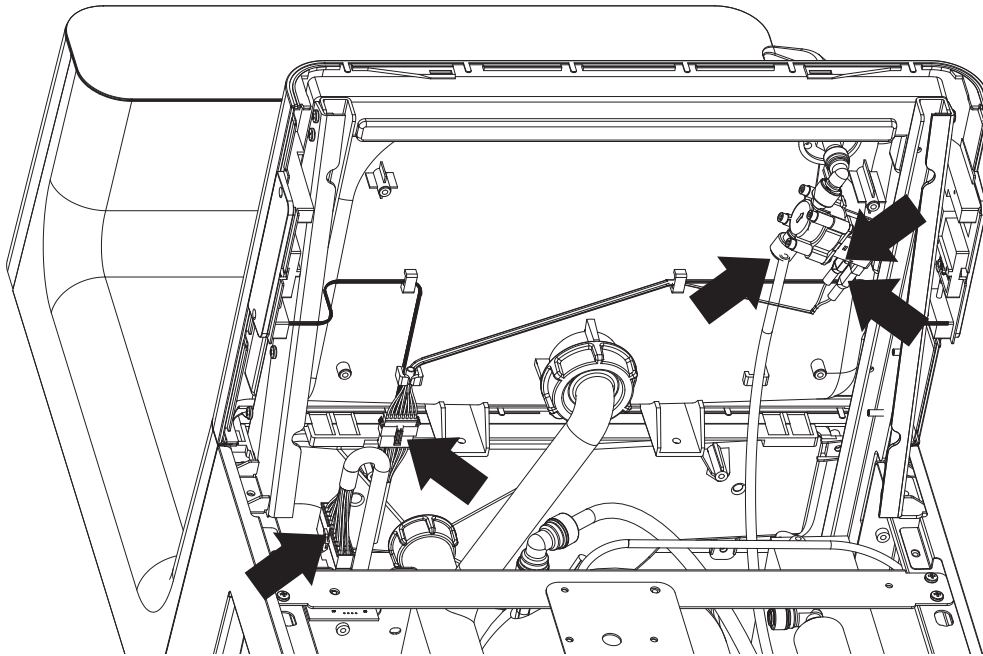
Remove the IR Sensor PCBs and disconnect the wire.



Configuration A to C

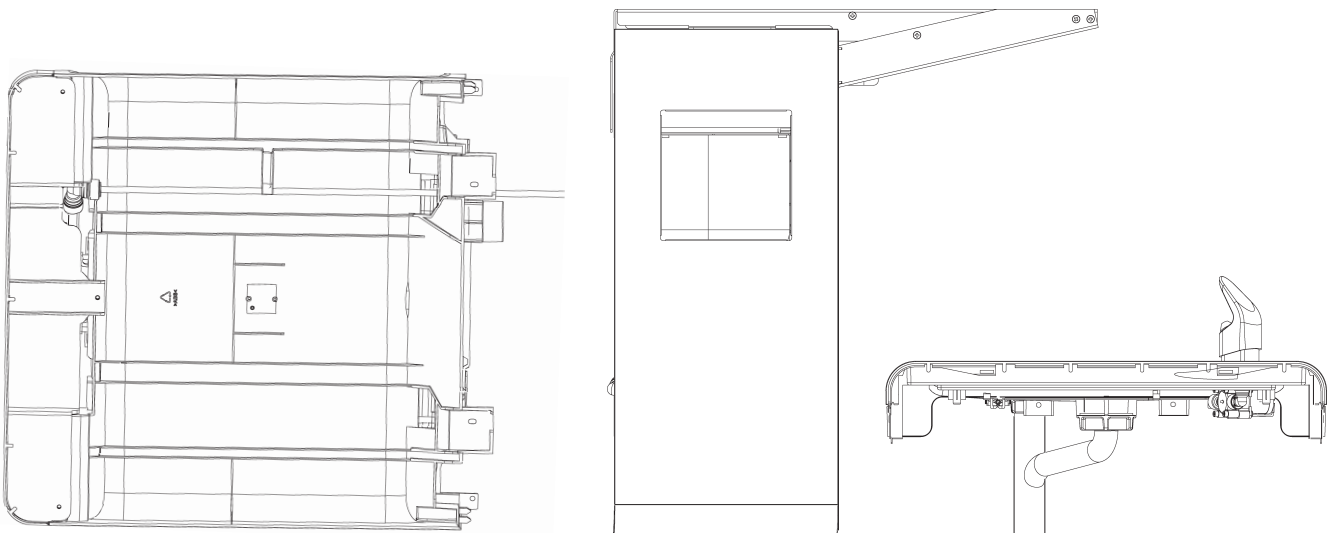
STEP
9

Disconnect the four marked electrical connectors and the tube attached to the solenoid.



STEP
10

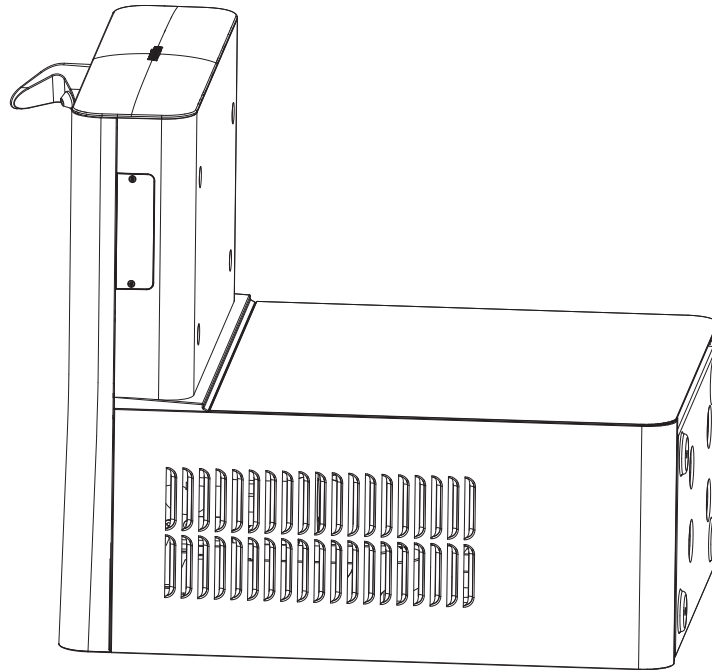
Gently pull the plastic bottle filler and basin off of the Main unit frame and stand the frame upright. **BE CAREFUL OF ANY WIRES OR TUBES.**



Configuration A to C

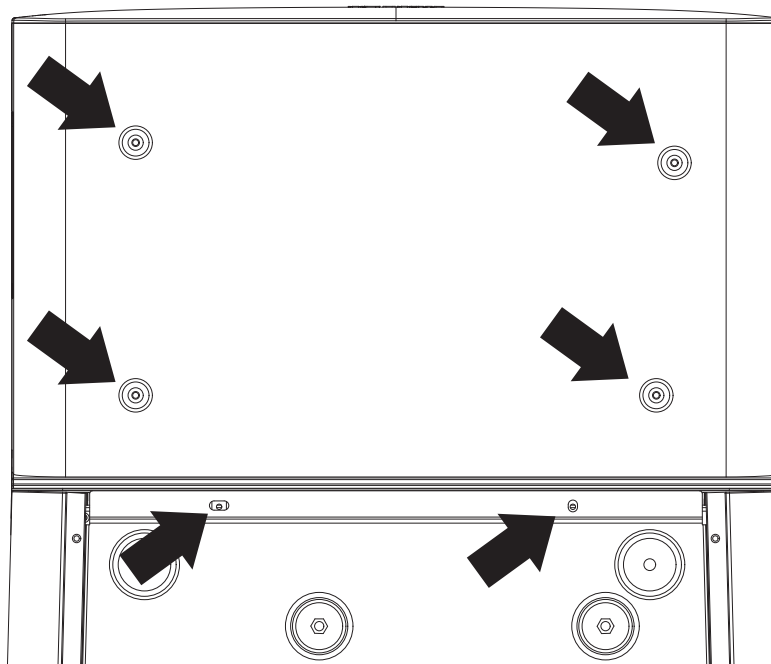
STEP
11

Now move to the Shell unit and gently tip it onto its back.



STEP
12

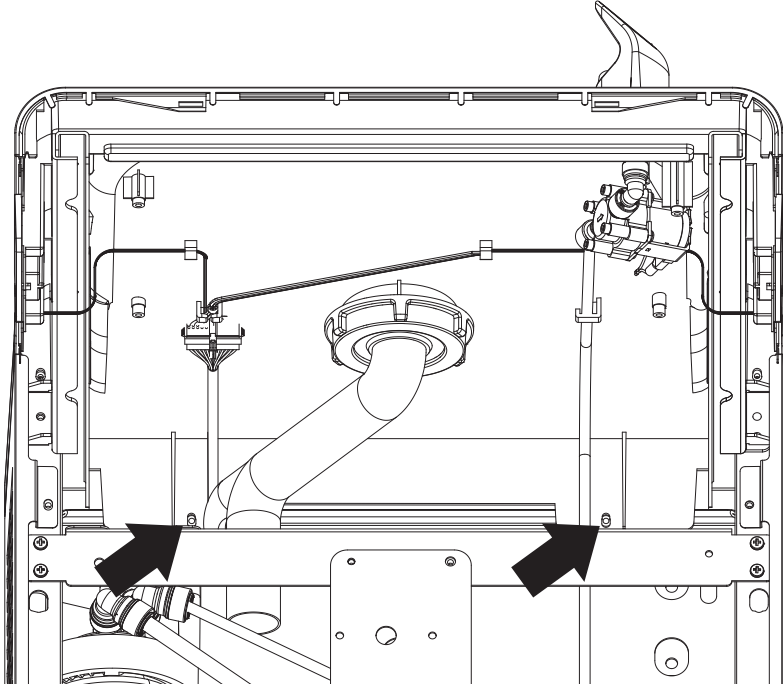
Remove the two screws that secure the front panel and the four screws that hold the plastic underside of the bubbler.



Configuration A to C

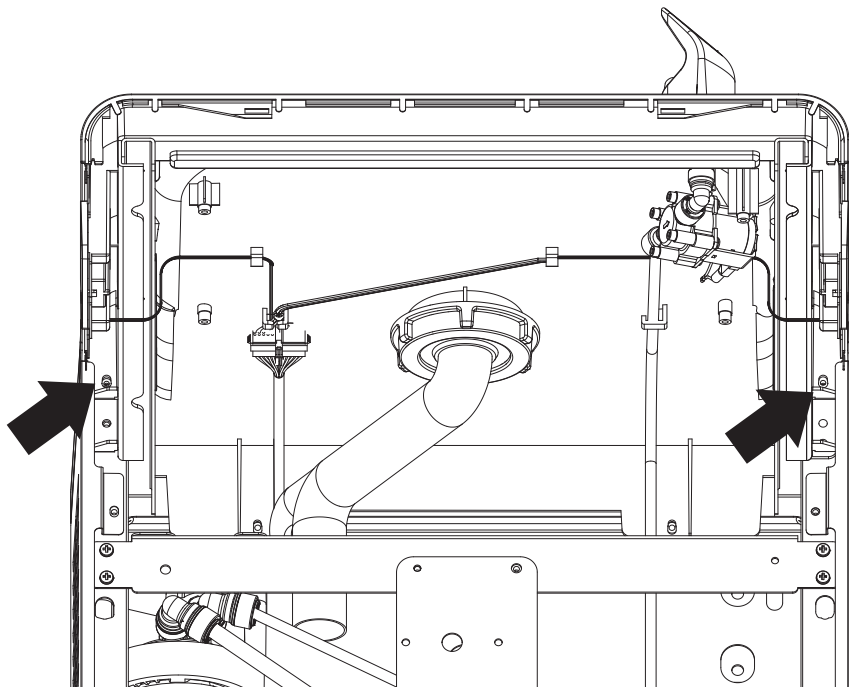
STEP
13

Now remove the two screws along the back of the unit that secure the Basin to the frame.



STEP
14

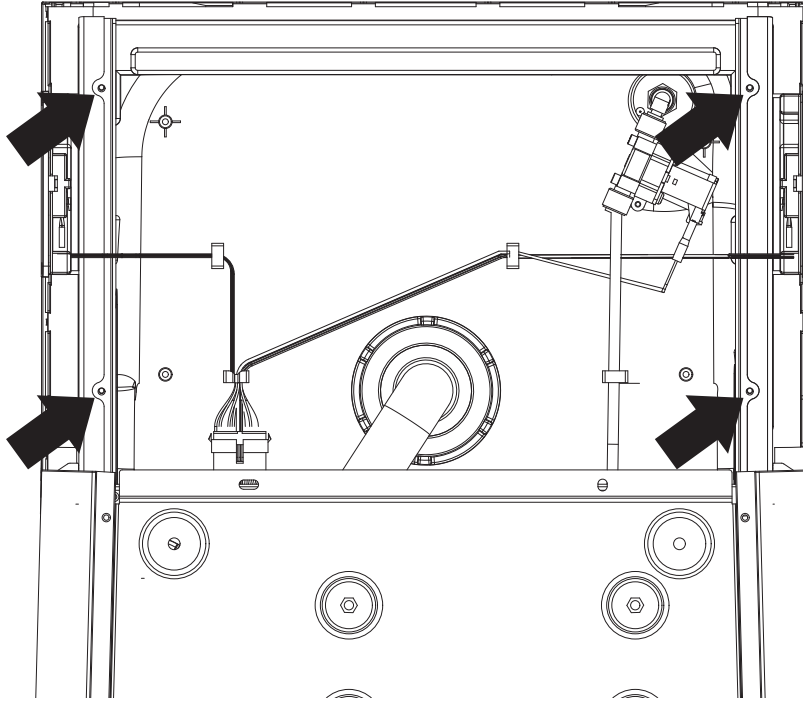
Remove the two screws (one on each side) at the front of the frame.



Configuration A to C

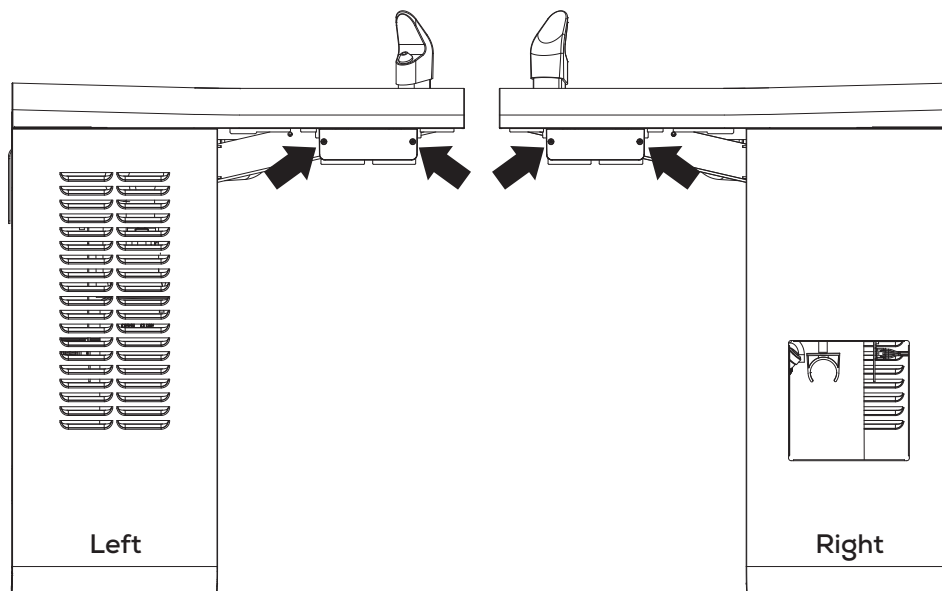
STEP
15

Undo the four screws on the under side of the basin.



STEP
16

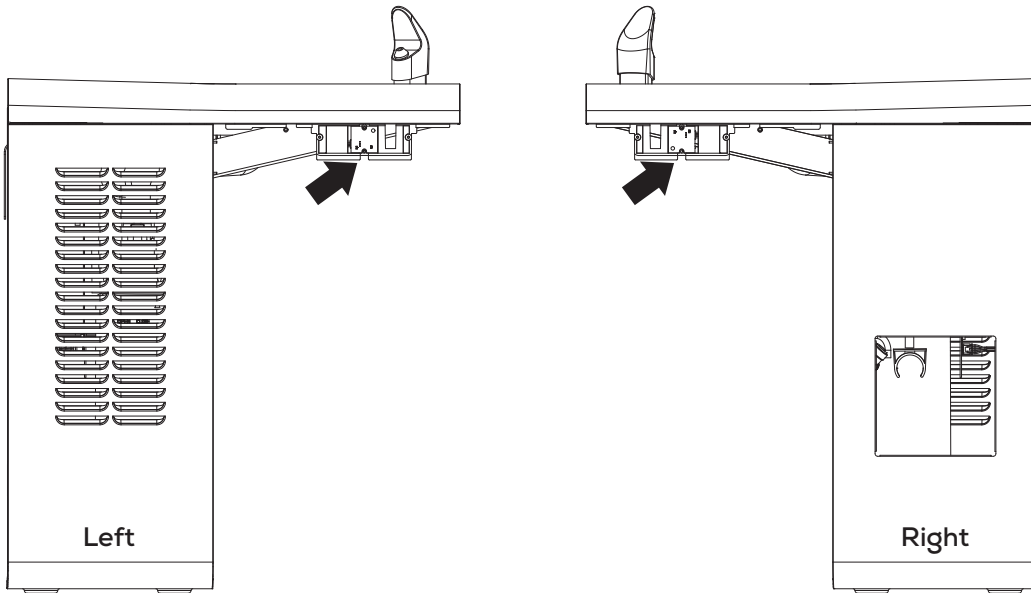
Remove the two screws that hold the sensor lens' on each side of the shell unit.



Configuration A to C

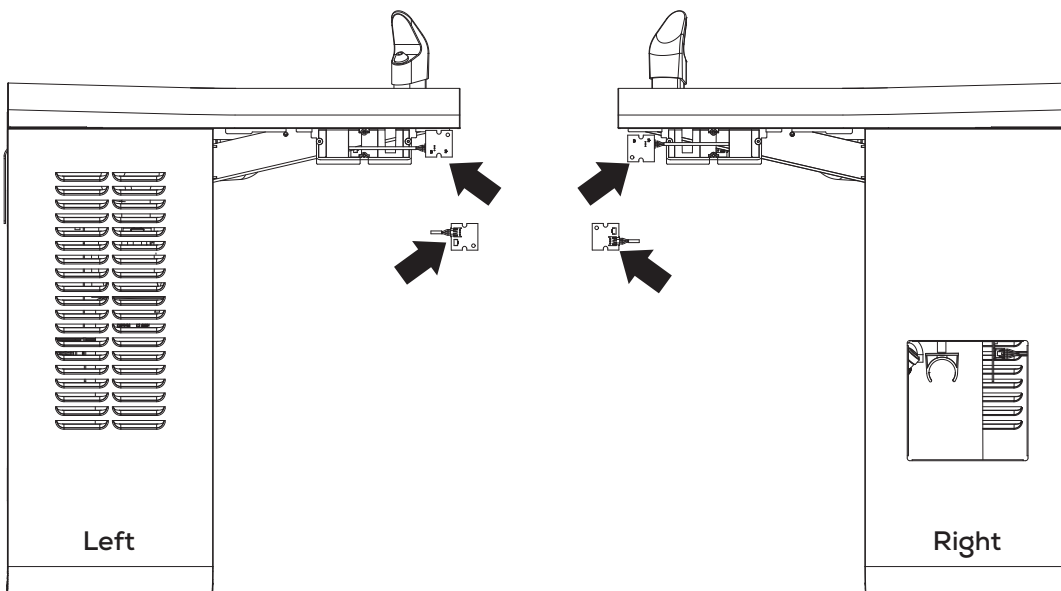
STEP
17

Remove the right and left IR sensors by undoing the two screws and gently disconnecting the wire.



STEP
18

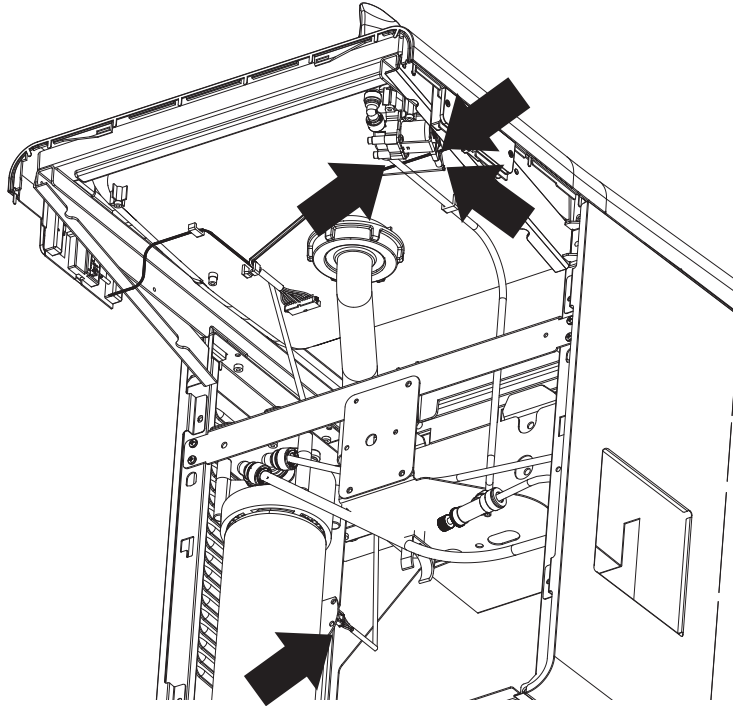
Take out two sensor PCB of the units frame and strip terminals.



Configuration A to C

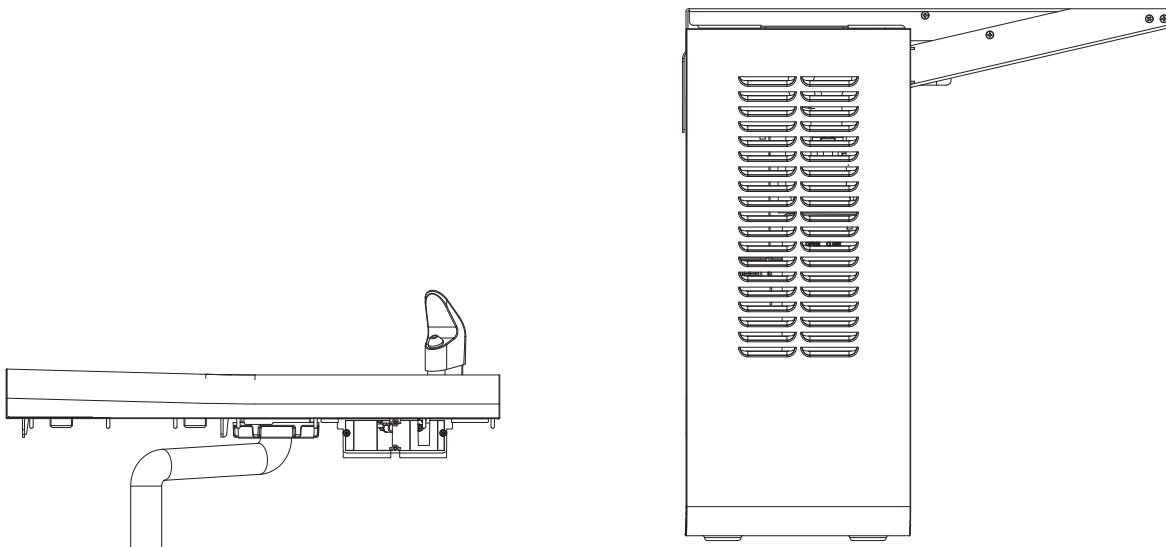
STEP
19

Disconnect the three electrical connections and the 1/4" tube from the solenoid.



STEP
20

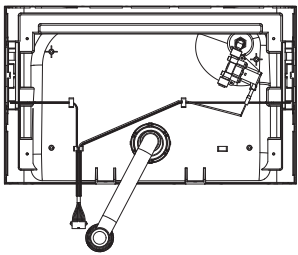
Gently pull the basin off of the Main unit frame and stand the frame upright. **BE CAREFUL OF ANY WIRES OR TUBES.**



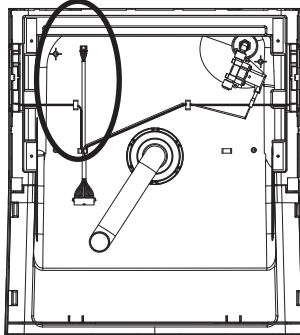
Configuration A to C

STEP
21

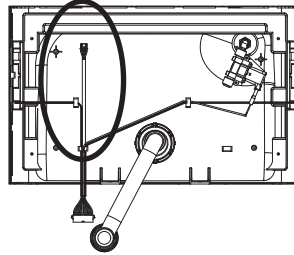
Gently pull the wires off of two basin unit frame and exchange them.
BE CAREFUL OF ANY WIRES OR TUBES.



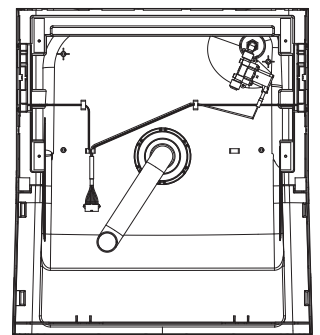
Smaller Basin



Larger Basin



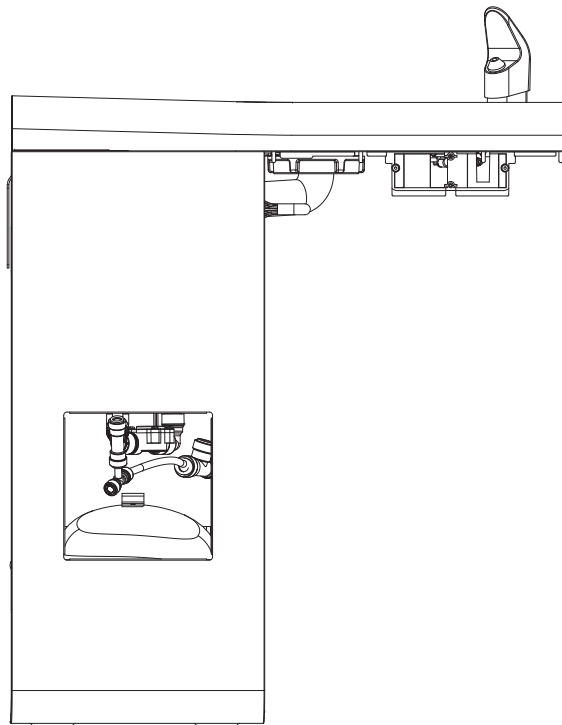
Smaller Basin



Larger Basin

STEP
22

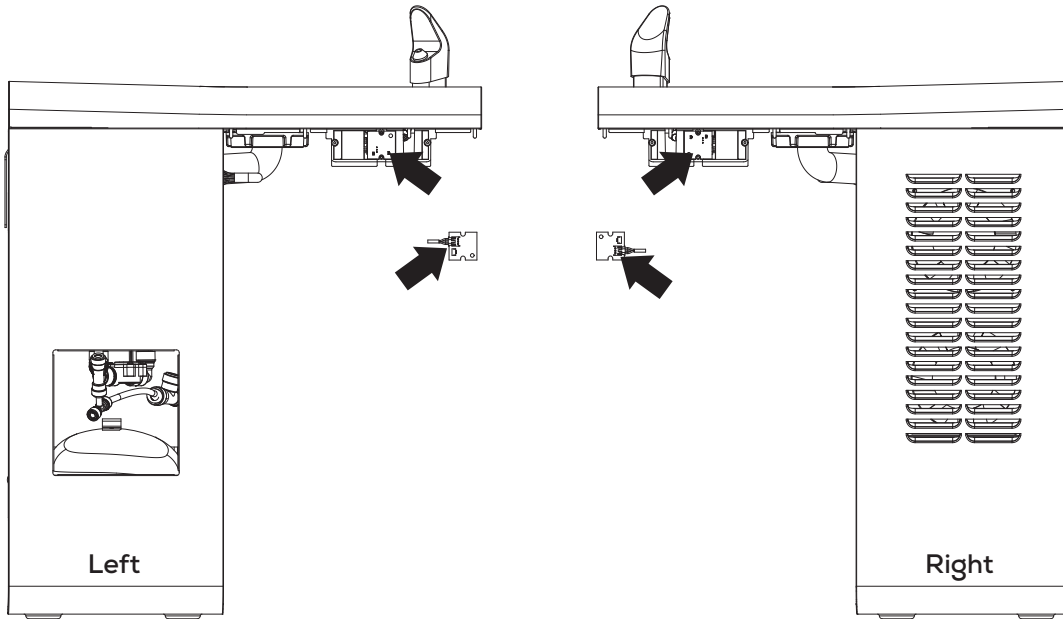
Gently lift and realign the large basin so that it sits on top of the Main Unit.



Configuration A to C

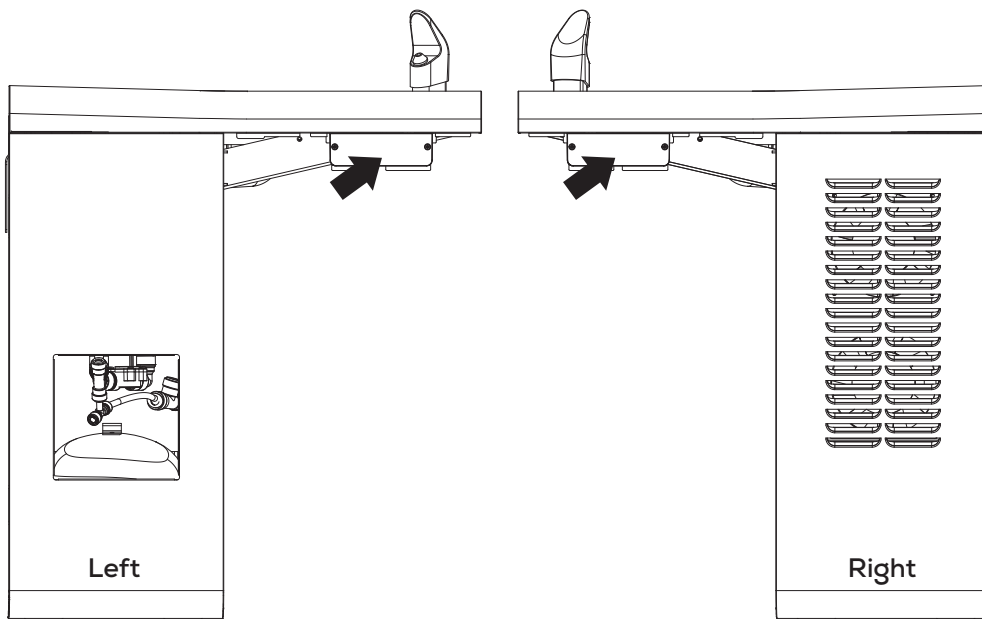
STEP
23

Replace the two sensors and plug them in.



STEP
24

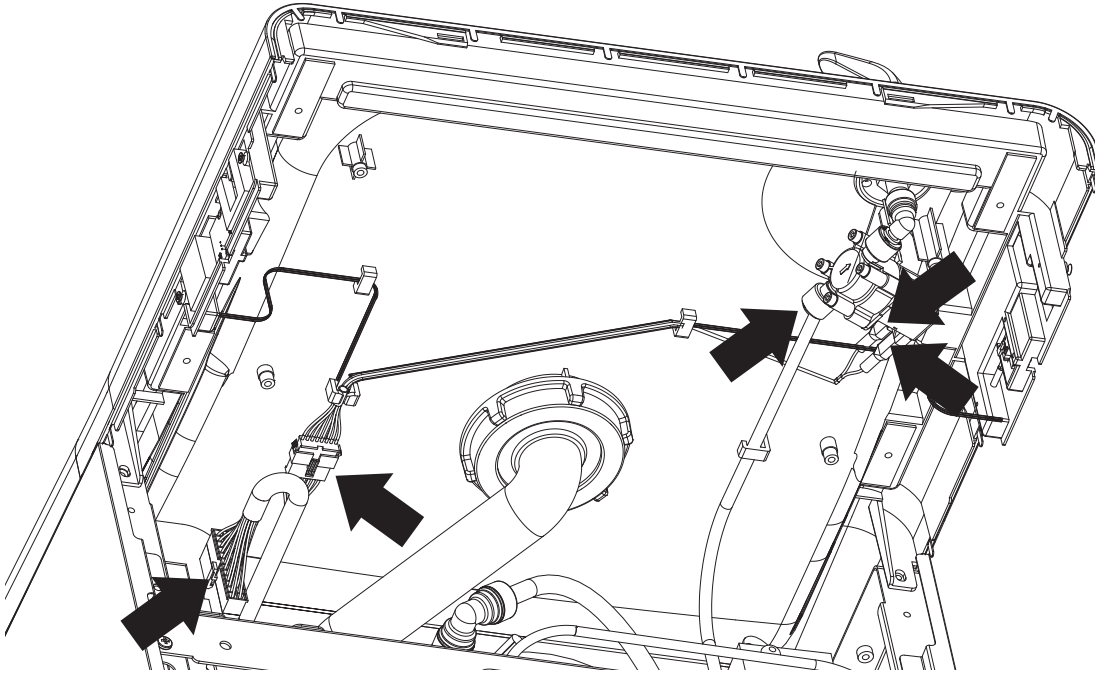
Replace two sensor lens and use the small countersunk screws to secure.



Configuration A to C

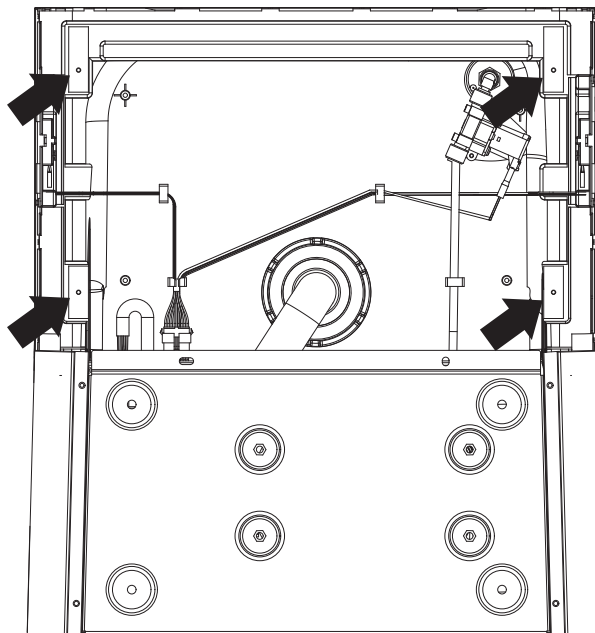
STEP
25

Replace four connectors and one 1/4" tube.



STEP
26

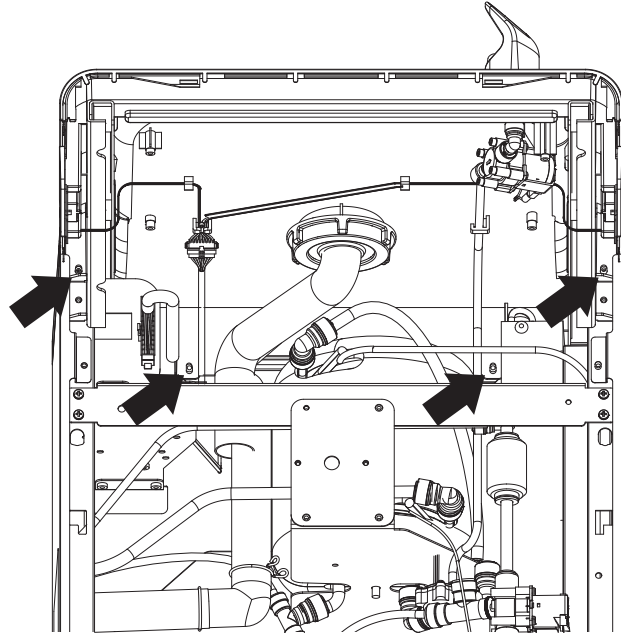
Replace the four button headed screws on the underside of the basin to the frame.



Configuration A to C

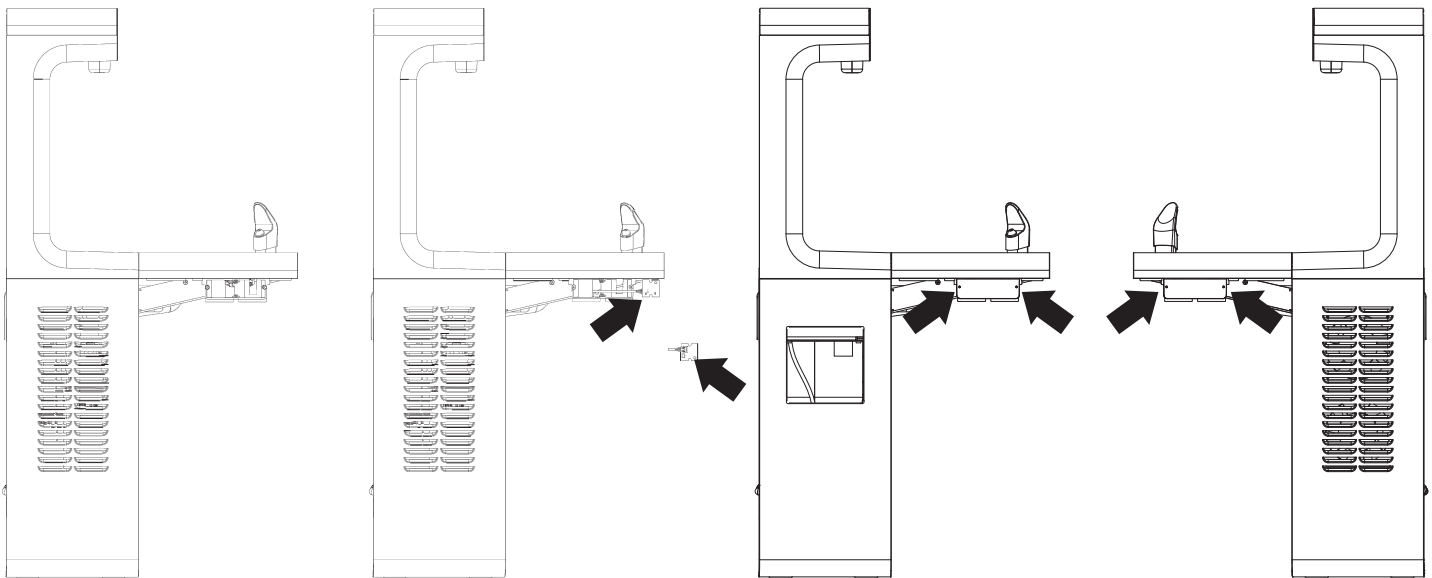
STEP
27

Replace the four remaining button-headed screws that secure the basin to the frame.



STEP
28

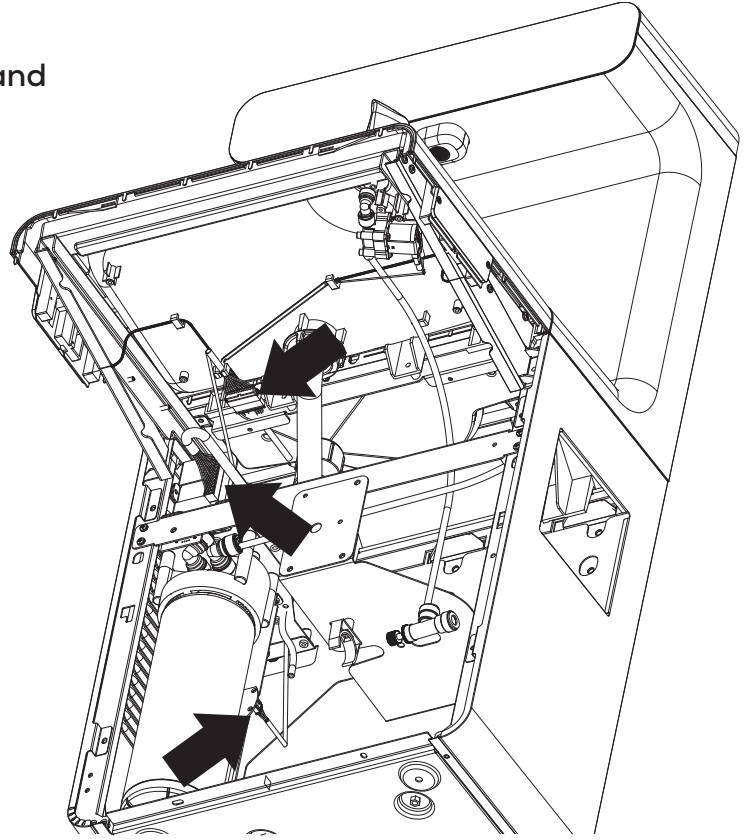
Go back to the **SHELL** Unit. Place the plastic top and basin back onto the Shell Unit (Unit without the compressor). Be careful not to pinch any tubing or wires. Replace two sensor PCB of the units frame and plug-in connectors. Replace two sensor lens and use the flanged screws secure.



Configuration A to C

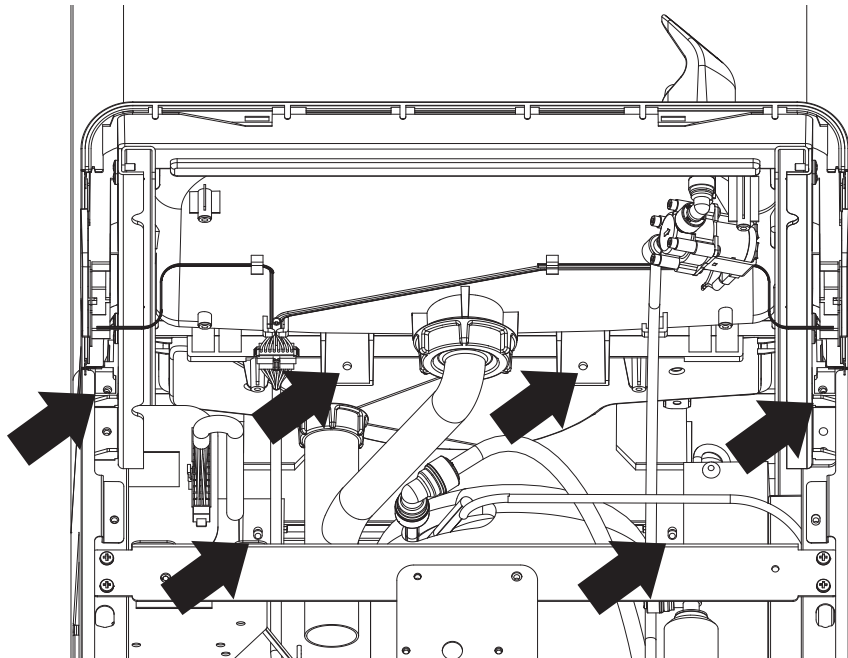
STEP
29

Replace the five electrical connections and the 1/4" tube connected to the solenoid.



STEP
30

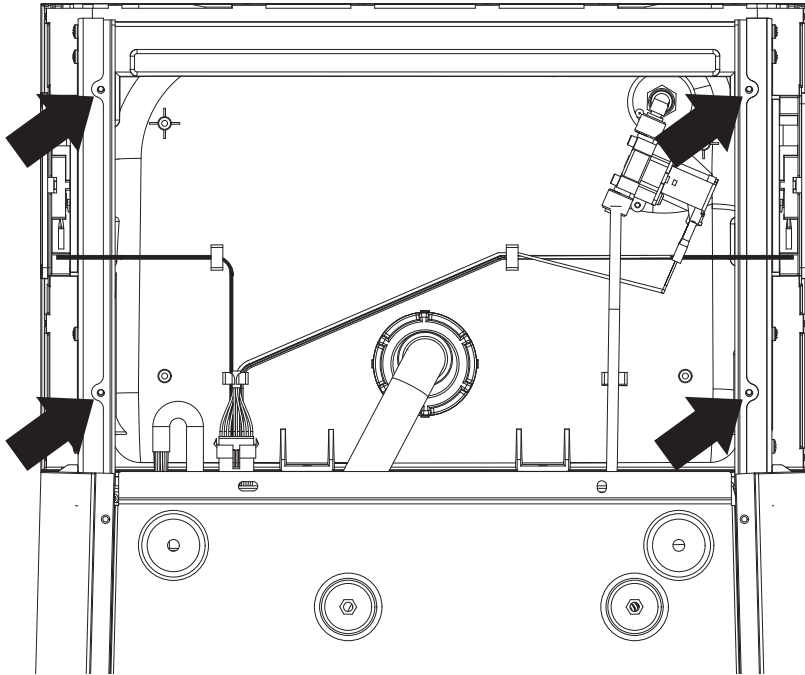
Replace the six flanged screws that secure the plastic bottle filler to the frame.



Configuration A to C

STEP
31

Replace the four button-headed screws that secure the basin to the frame.



STEP
32

Replace the basin underside and secure it with four Button headed plastic screws.
Replace the Front panel and secure it with two flanged screws.

